



ACME
FLUID SYSTEMS



AN ISO 9001:2008

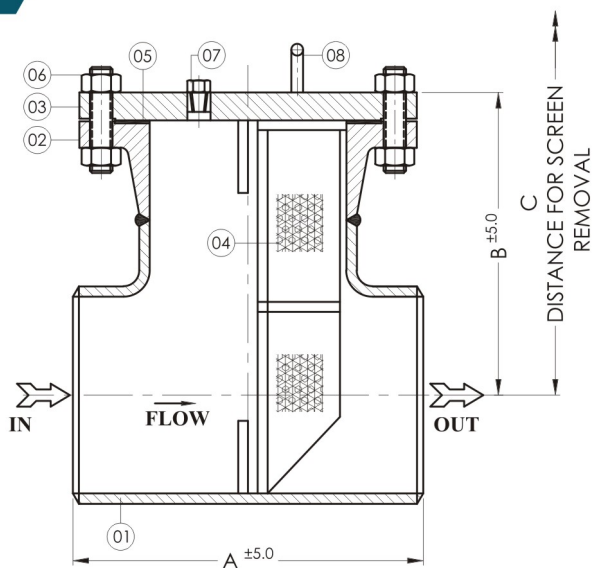
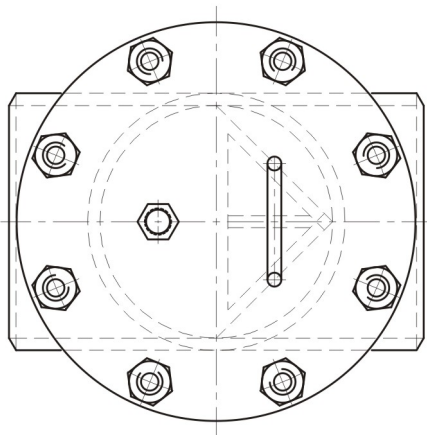


"T" Type Strainers

***Our Precision
Your Advantage***

www.strainersindia.com

"T" TYPE STRAINERS



ACME FLUID SYSTEMS is one of the top contributors for Flanged end "T" type strainers in India. "T" Type strainers derive its name from the shape of its configuration that looks like "T". They are compact in size and shape and are used in applications where there is space crunch. They are widely used in refineries and Petrochemical applications.

Size: 2" - 60" (Flanged ends,
Butt weld ends)

Rating: 150# to 2500#

Features :

- Low weight
- Compact size
- Bottom plug for waste disposal
- Low filtration area
- Made out of Forged Tee and Flanges

Option :

- Hinged cover or davit assembly for easier maintenance
- Drain Valves
- D.P Tapings/ Gauge
- High pressure capabilities
- Different Drilling templates (ASME/DN/BS/IS)
- Magnetic Screen Insert
- ASME Code construction
- European standards - DIN/PED available
- Coatings and linings available upon request
- Various flow configurations available

MATERIAL OF CONSTRUCTION

No.	Description	Material	Qty.
1	Body	SA 234 Gr. WPB/A 403 Gr. WP304/A 403 Gr. WP 316	1
2	Body Flange	ASTM A 105/A 182 Gr. F 304/A 182 Gr. F 316	1
3	Cover Flange	ASTM A 105/A 182 Gr. F 304/A 182 Gr. F 316	1
4	Element	SS 304 / SS 316	1
5	Cover Gasket	SS 316 Spiral Wound with Graphite Filler	1
6	Stud & Nut	ASTMA 193/A 194 Gr. B7/2H (Zinc Plated)	-
7	Vent	ASTM A 105/A 182 Gr. F 304/A 182 Gr. F 316	1
8	Handle	SS 304 / SS 316	1

Size		Dimension			
Inch	MM	A	B	C	Vent
1-1/2"	40	114	137	270	1/2" NPT
2"	50	127	146	279	1/2" NPT
2-1/2"	65	152	177	300	1/2" NPT
3"	80	172	179	349	1/2" NPT
4"	100	210	205	413	1/2" NPT
5"	125	248	237	489	1/2" NPT
6"	150	286	157	540	1/2" NPT
8"	200	365	308	660	1/2" NPT
10"	250	432	348	762	3/4" NPT
12"	300	508	400	889	3/4" NPT
14"	350	559	441	991	3/4" NPT
16"	400	610	468	1067	3/4" NPT
18"	450	686	522	1194	3/4" NPT
20"	500	762	568	1305	1" NPT
24"	600	864	632	1473	1" NPT

Authorised Dealer



WORKS : ACME Fluid Systems, 152/2, Road No.5, GIDC Kathwada, Ahmedabad-382430, Gujarat (INDIA).
Ph. : +91 79 22870005 • Mobile : +91 99796 64455. E-mail: arpit@strainersindia.com • mehrishiarpit@gmail.com

SALES OFFICE : C-151, 2nd Floor, Sector 10, Noida 201301, Uttar Pradesh (India).
Ph. : +91 120 4313341, Telefax : +91 120 4313342, Mob.: +91 98100 57364. Email : rakesh@strainersindia.com